



中星海洋装备（青岛）有限公司
SINOSTAR MARINE EQUIPMENT CO., LTD.

Address: Building 1, No. 8B Hong Kong Middle Road, Qingdao, China.

中国. 青岛香港中路8号乙中铁青岛中心1号楼

Email: sme@smeocean.com

Phone: 0086-532-66888282

Website: www.smeocean.com



ANCHOR CHAIN &
SHIP EQUIPMENTS

中星海洋装备（青岛）有限公司
SINOSTAR MARINE EQUIPMENT CO., LTD.

CONTENT

●	About SME 企业简介	/03
●	Anchor Chain and Accessories 锚链及配件	/07
●	Anchor 锚	/22
●	Deck Fittings 舭装设备	/33
●	Mooring Ropes 缆绳	/43
●	Sacrificial Anode 牺牲阳极	/44



Company



Sinostar Marine Equipment (Qingdao) Co., Ltd. (Sinostar), a marine equipment specialist founded in 2019. Our product lines range from the full line of anchors, anchor chains, accessories as well as other customized marine equipment.

Sinostar has many deep-cooperated manufacturers which have nearly 20 years of experience in the production, integrating R&D, design, and customization. SME is specializing in various specifications of anchor chains, marine mooring chains and accessories, and also in the non-standard anchor chains and accessories. Our products quality has been approved by all major Classification Societies in the world such as ABS, LR, BV, DNV, NK, KR, CCS, RINA, RMRS etc.

Sinostar products are exported to more than 50 countries and regions. Relying on the mature research and development experiences, high-quality products and unmatched supports, Sinostar is highly praised and deeply trusted by customers. We pride ourselves on the ability to customize solutions to our customers' needs. With the promise of distinguished customer service and efficient marine equipment solutions, we make the difference.

中星海装装备（青岛）有限公司成立于2019年，作为海洋装备专家，我们的产品线涵盖了全系列的锚、锚链、配件以及其他定制的海洋设备。中星海装拥有多家深度合作的制造商，有近20年的生产经验，集研发、设计、定制、生产于一体。SME专业生产各种规格的锚链、船用系泊链及配件，也可根据客户图纸生产非标准锚链及配件。

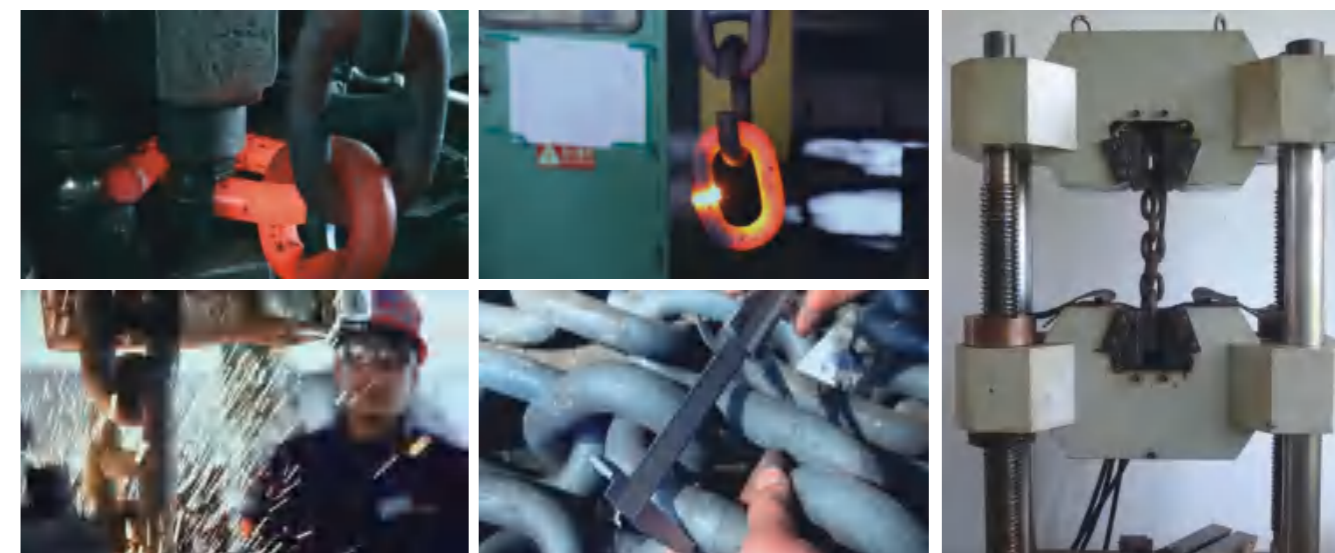
我们的产品质量已获得世界上所有主要船级社的认可，如ABS、LR、BV、DNV、NK、KR、CCS、RINA、RMRS等。

中星海装的产品出口到全球50多个国家和地区。凭借成熟的研发经验、优质的产品和无与伦比的支持，中星海装深受国外客户好评和信赖。我们为能够根据客户需求定制解决方案而感到自豪。卓越的客户服务和高效的船舶设备解决方案，让我们脱颖而出，与众不同。



Anchor Chain
and Accessories
锚链及附件

Anchor Chain 锚链



Mechanical Properties 机械性能

级别 Grade	屈服强度 Yield Point (N/mm ² ,min)	抗拉强度 Tensile Strength (N/mm ² ,min)	延伸率 Elongation (%,min)	断面收缩率 Reduction of Area (N/mm ² ,min)	V型缺口冲击试验 Impact Test(V-notch)	
					试验温度 Test Temperature (°C)	平均能量 Impact (J,min)
					2	≥295
3	≥410	≥690	≥17	≥40	0	≥60
						≥50 (焊缝weld)

Test Load of Anchor Chains and Fittings
锚链及附件试验负荷

(Nominal) Chain Diameter (名义)链径 (mm)	Proof Load 拉力负荷 (kn)		Breaking Load 拉断负荷 (kn)		Weight 重量 kg/27.5m
	二级 Grade2	三级 Grade3	二级 Grade2	三级 Grade3	
16	107	150	150	216	158
17.5	127	179	179	256	194
19	150	211	211	301	236
20.5	175	244	244	349	269
22	200	280	280	401	322
24	237	332	332	476	370
26	278	389	389	556	431
28	321	449	449	642	496
30	368	514	514	735	564
32	417	583	583	833	635
34	468	655	655	937	712
36	523	732	732	1050	800
38	581	812	812	1160	887
40	640	896	896	1280	1032
42	703	981	981	1400	1084
44	769	1080	1080	1540	1197
46	837	1170	1170	1680	1310
48	908	1270	1270	1810	1438
50	981	1370	1370	1960	1546
52	1060	1480	1480	2110	1661
54	1140	1590	1590	2270	1791
56	1220	1710	1710	2430	1926
58	1290	1810	1810	2600	2086
60	1380	1940	1940	2770	2249
62	1470	2060	2060	2940	2361
64	1560	2190	2190	3130	2516
66	1660	2310	2310	3300	2676
68	1750	2450	2450	3500	2885
70	1840	2580	2580	3690	3010
73	1990	2790	2790	3990	3274
76	2150	3010	3010	4300	3548
78	2260	3160	3160	4500	3737

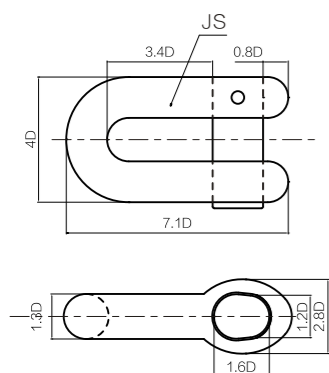
Test Load of Anchor Chains and Fittings
锚链及附件试验负荷

(Nominal) Chain Diameter (名义)链径 (mm)	Proof Load 拉力负荷 (kn)		Breaking Load 拉断负荷 (kn)		Weight 重量 kg/27.5m
	二级 Grade2	三级 Grade3	二级 Grade2	三级 Grade3	
81	2410	3380	3380	4820	4030
84	2580	3610	3610	5160	4334
87	2750	3850	3850	5500	4650
90	2920	4090	4090	5840	4976
92	3040	4260	4260	6080	5199
95	3230	4510	4510	6440	5544
97	3340	4680	4680	6690	5780
100	3530	4940	4940	7060	6143
102	3660	5120	5120	7320	6398
105	3850	5390	5390	7700	6773
107	3980	5570	5570	7960	7033
111	4250	5940	5940	8480	7569
114	4440	6230	6230	8890	7983
117	4650	6510	6510	9300	8409
120	4850	6810	6810	9720	8863
122	5000	7000	7000	9990	9143
124	5140	7200	7200	10280	9598
127	5350	7490	7490	10710	9908
130	5570	7800	7800	11140	10382

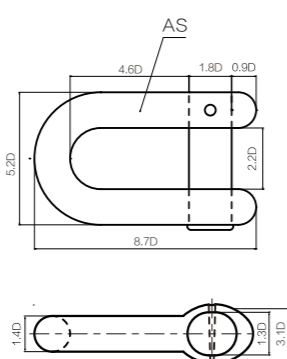


Accessories 附件

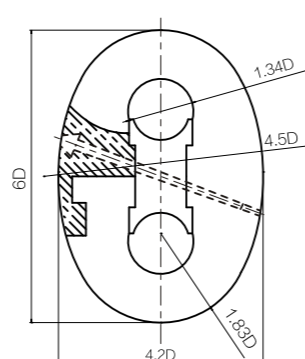
Joining Shackle(JS) D型链接卸扣



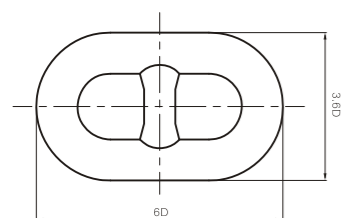
End Shackle(ES) 末端卸扣



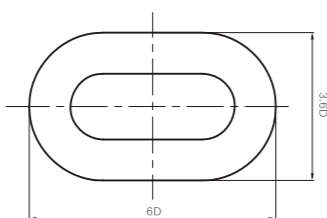
Kenter Shackle(KS) 肯特卸扣



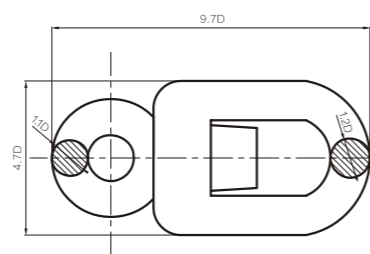
Common Link(C) 有档普通链环



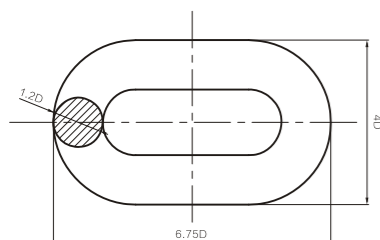
Studless Link(L) 无档普通链环



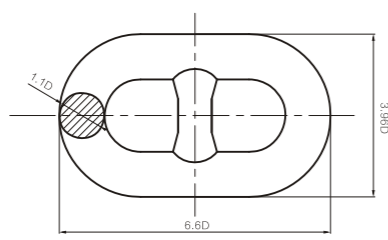
Swivel (SW) 单转环



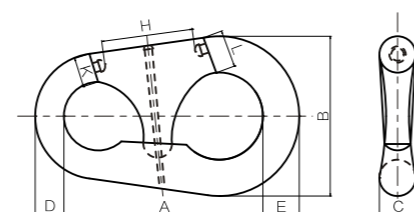
End Link(E) 末端链环



Enlarge Link(EL) 加大链环



Pearlink Shackle 梨形环卸扣



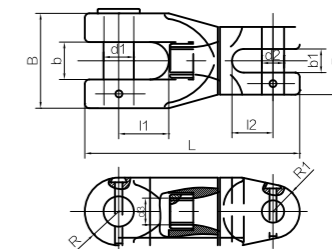
Pearlink Shackle

Type	Chain Dia mm	A	B	C	D	E	H	K	L	Weight kg
3	26-30	238	167	46	30	38	65	32	46	9
4	32-40	298	206	59	40	48	79	39x44	57	13
5	42-50	381	251	76	51	64	100	52.44	76	28
6	52-60	454	313	92	60	76	121	62x73	89	49
7	78-92	651	406	140	92	124	152	111x122	130	156

Swivel Shackle Type A

Technique Requirement:

1. All parts surface shall be free from defects like cracks or inter layers.
2. Tolerance is $\pm 2.5\%$.
3. Other technical as LR rules.
4. Material: The grade of material must be the same as the chain cable.

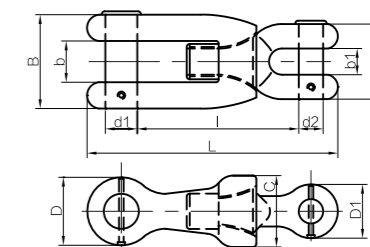


Apply to Anchor Chain's Specification	Swivel Shackle(A-Type) AM3 (mm)											
	L	B	B1	b	b1	R	R1	d1	d2	L1	L2	d3
111 114 117	1498	660	460	225	165	230	188	200	154	361	315	M180
105 107	1398	600	420	220	150	210	176	185	140	335	269	M175
100 102	1308	571	412	210	143	206	164	175	133	300	253	M160
90 92 95	1206	532	380	200	133	190	152	165	124	280	231	M150
84 87	1118	487	352	180	122	176	140	150	113	260	214	M140
78 81	1042	454	328	172	113	164	130	140	106	240	193	M130
70 73 76	965	426	304	168	106	152	120	130	100	225	164	M120
64 66 68	868	380	265	145	95	136	106	116	88	200	170	M110
58 60 62	787	348	252	135	88	126	100	106	82	185	152	M100
54 56	712	314	218	120	78	109	88	102	73	168	135	M90
50 52	712	290	202	110	73	109	88	96	68	168	135	M90

Swivel Shackle Type B

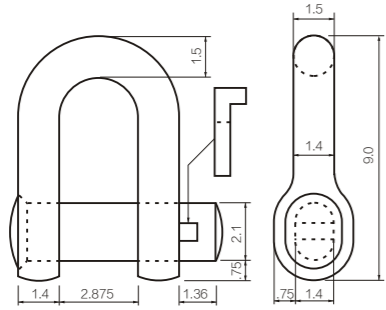
Technique Requirement:

1. All parts surface shall be free from defects like cracks or inter layers.
2. Tolerance is $\pm 2.5\%$.
3. Other technical as LR rules.
4. Material: The grade of material must be the same as the chain cable.

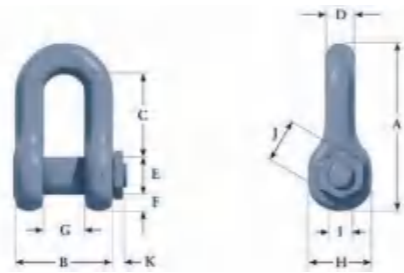


Apply to Anchor Chain's Specification	Swivel Shackle(B-Type) AM2 AM3 (mm)											
	L	I	B	b	B1	b1	D	D1	d1	d2	C	
111	1483	955	555	244	444	155	389	333	189	144	422	
107	1430	920	535	235	428	150	375	321	182	139	407	
105	1403	903	525	231	420	147	368	315	178	137	399	
102	1363	877	510	224	408	143	357	306	173	133	388	
100	1336	860	500	220	400	140	350	300	170	130	380	
97	1296	834	485	213	288	136	340	291	165	126	369	
95	1269	817	475	209	380	133	333	285	162	124	361	
92	1229	791	460	202	368	129	322	276	156	120	350	
90	1202	774	450	198	360	126	315	270	153	117	342	
87	1162	748	435	191	348	122	305	261	148	113	331	
84	1122	722	420	185	336	118	294	252	142	109	319	
81	1082	697	405	178	324	113	286	243	138	105	308	
78	1042	671	390	172	312	109	273	234	133	101	296	
76	1015	654	380	167	304	106	268	228	130	99	289	
73	975	628	365	161	292	102	255	219	124	95	277	
70	935	602	350	154	280	98	245	210	119	91	266	
68	908	585	340	150	272	95	238	204	116	88	258	
66	882	568	330	145	264	92	231	198	112	86	251	
64	855	550	320	141	256	90	224	192	109	83	243	
62	828	533	310	136	248	87	217	186	105	81	236	
60	802	516	300	132	240	84	210	180	102	78	228	
58	775	499	290	128	232	81	203	174	99	75	220	
56	748	482	280	123	224	78	196	168	95	73	213	
54	721	464	270	119	216	76	189	162	92	70	205	
52	695	447	260	114	208	73	182	156	88	68	198	
50	668	430	250	110	200	70	175	150	85	65	190	

Fore Lock Anchor Shackle

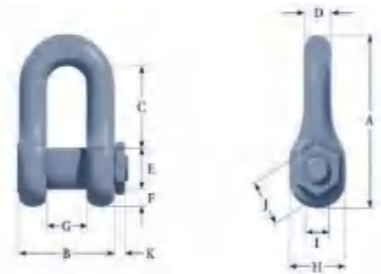


D-Type Joining Shackle(LTM)



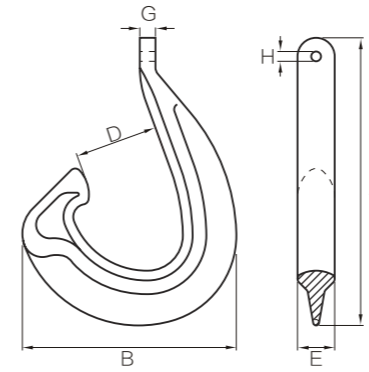
Chain(mm)	A	B	C	D	E	F	G	H	I	J	K
64	454	256	218	83	102	51	90	179	77	141	32
76	540	304	258	99	122	61	106	213	91	167	38
84	596	336	286	109	134	67	118	235	101	185	42
92	653	368	313	120	147	74	129	258	110	202	46
102	724	408	347	133	163	82	143	286	122	224	51
108	767	432	367	140	173	86	151	302	130	238	54
114	809	456	388	148	182	91	160	319	137	251	57

Anchor Shackle(LTM)

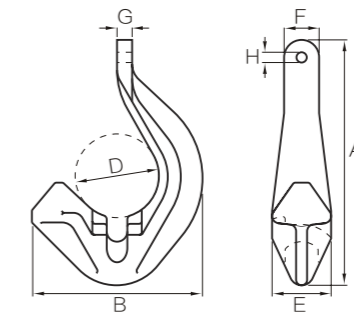


Chain(mm)	A	B	C	D	E	F	G	H	I	J	K
64	525	320	256	90	122	58	141	192	83	160	35
76	623	380	304	106	144	68	167	228	99	190	42
84	689	420	336	118	160	76	185	252	109	210	46
92	754	460	368	129	175	83	202	276	120	230	51
102	836	510	408	143	194	92	224	306	133	255	56
108	886	540	432	151	205	97	238	324	140	270	59
114	935	570	456	160	217	103	251	342	148	285	63

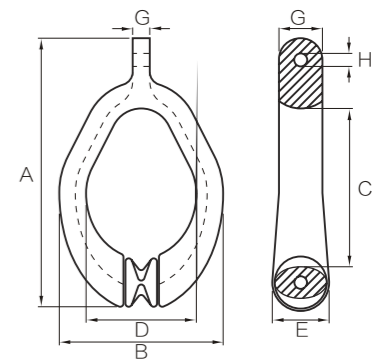
Chasers



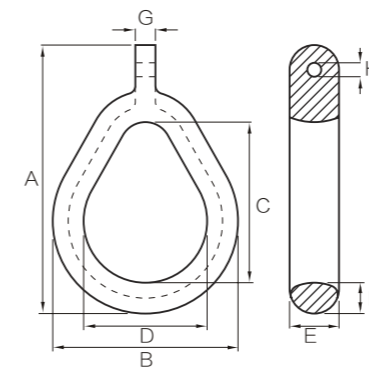
J-Chaser
101



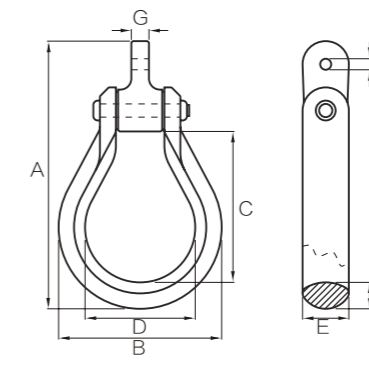
J-Lock Chaser
115



Permanent Wire Chaser
210-213-214-215



Permanent Chain Chaser
102-106-110-112



Detachable Chain Chaser
107-108-111



Type	A	B	C	D	E	F	G	H	Proofload Tons	Weight kg
101	2483	1829	-	699	305	-	124	86	250	1882
102	1657	1143	991	762	305	191	124	86	250	1088
106	1702	1168	991	762	381	203	130	99	250	1451
107	1886	1143	1080	762	305	191	124	86	250	1238
108	1931	1168	1067	762	381	203	130	99	250	1656
110	1867	1245	1130	838	330	203	130	99	250	1433
111	1994	1245	1130	838	330	203	130	99	250	1742
112	2210	1384	1397	953	356	260	130	99	250	2064
115	2083	1486	-	711	533	305	124	86	250	1778
210	2073	1245	1203	838	432	330	130	99	250	1959
213	1962	1099	1086	692	445	330	130	99	250	1846
214	2318	1308	1397	902	508	330	130	99	250	2530
215	2051	1168	1060	711	445	356	178	127	400	2495

Chain Equipment Tables

锚与锚链及索缆配用表

船用锚链 Stud Link Chain Cables				船用锚 Anchors for Ship			牵引钢索 Towing Lines		系泊缆绳 Mooring Lines		
链径 Diameter(mm)			总长 Total Length (mm)	数量 Number	普通锚 Anchor	大抓力锚 H.H.P.Anchor	长度 Length (m)	最小破断力 MBL (KN)	数量 (条) Quantity	每条长度 Length (m)	破断拉力 MBL (KN)
一级 Grade1	二级 Grade2	三级 Grade3			重量 Weight(kg)						
14	12.5	-	220	2	180	135	180	100	3	80	35
16	14	-	220	2	240	180	180	100	3	100	40
17.5	16	-	247.5	2	300	225	180	100	3	110	40
19	17.5	-	247.5	2	360	270	180	100	3	110	45
20.5	17.5	-	275	2	420	315	180	100	3	120	50
22	19	-	275	2	480	360	180	100	3	120	55
24	20.5	-	302.5	2	570	430	180	110	3	120	60
26	22	20.5	302.5	3	660	495	180	130	4	120	65
28	24	22	330	3	780	585	180	150	4	120	70
30	26	24	357.5	3	900	675	180	175	4	140	80
32	28	24	357.5	3	1020	765	180	200	4	140	85
34	30	26	385	3	1140	855	180	225	4	140	95
36	32	28	385	3	1290	970	180	250	4	140	100
38	34	30	412.5	3	1440	1080	180	275	4	140	110
40	34	30	412.5	3	1590	1195	190	305	4	160	120
42	36	32	440	3	1740	1305	190	340	4	160	130
44	38	34	440	3	1920	1440	190	370	4	160	145
46	40	36	440	3	2100	1575	190	405	4	160	160
48	42	36	467.5	3	2280	1710	190	440	4	170	170
50	44	38	467.5	3	2460	1845	190	480	4	170	185
52	46	40	467.5	3	2640	1980	190	520	4	170	200
54	48	42	495	3	2850	2140	190	560	4	170	215
56	50	44	495	3	3060	2295	200	600	4	180	230
58	50	46	495	3	3300	2475	200	645	4	180	250
60	52	46	522.5	3	3540	2655	200	690	4	180	270
62	54	48	522.5	3	3780	2835	200	740	4	180	285
64	56	50	522.5	3	4050	3040	200	785	4	180	305
66	58	50	550	3	4320	3240	200	835	4	180	325
68	60	52	550	3	4590	3445	220	890	5	190	325
70	62	54	550	3	4890	3670	220	940	5	190	335
73	64	56	577.5	3	5250	3940	220	1025	5	190	350
76	66	58	577.5	3	5610	4210	220	1110	5	190	375

Chain Equipment Tables

锚与锚链及索缆配用表

船用锚链 Stud Link Chain Cables				船用锚 Anchors for Ship			牵引钢索 Towing Lines		系泊缆绳 Mooring Lines		
链径 Diameter(mm)			总长 Total Length (mm)	数量 Number	普通锚 Anchor	大抓力锚 H.H.P.Anchor	长度 Length (m)	最小破断力 MBL (KN)	数量 (条) Quantity	每条长度 Length (m)	破断拉力 MBL (KN)
一级 Grade1	二级 Grade2	三级 Grade3			重量 Weight(kg)						
78	68	60	577.5	3	6000	4500	220	1170	5	190	400
81	70	62	605	3	6450	4840	240	1260	5	200	425
84	73	64	605	3	6900	5175	240	1355	5	200	450
87	76	66	605	3	7350	5515	240	1455	5	200	480
90	78	68	632.5	3	7800	5850	260	1470	6	200	480
92	81	70	632.5	3	8300	6225	260	1470	6	200	490
95	84	73	632.5	3	8700	6525	260	1470	6	200	500
97	84	76	660	3	9300	6975	280	1470	6	200	520
100	87	78	660	3	9900	7425	280	1470	6	200	555
102	90	78	660	3	10500	7875	280	1470	6	200	590
105	92	81	687.5	3	11100	8325	300	1470	6	200	620
107	95	84	687.5	3	11700	8775	300	1470	6	200	650
111	97	87	687.5	3	12300	9225	300	1470	7	200	650
114	100	87	715	3	12900	9675	300	1470	7	200	660
117	102	90	715	3	13500	10125	300	1470	7	200	670
120	105	92	715	3	14100	10575	300	1470	7	200	680
122	107	95	742.5	3	14700	11025	300	1470	7	200	685
124	111	97	742.5	3	15400	11550	300	1470	8	200	685
127	111	97	742.5	3	16100	12075	300	1470	8	200	695
130	114	100	742.5	3	16900	12675	300	1470	8	200	705
132	117	102	742.5	3	17800	13350	300	1470	9	200	705
137	120	107	742.5	3	18800	14100	300	1470	9	200	715
-	124	111	770	3	20000	15000	300	1470	9	200	725
-	127	114	770	3	21500	16125	300	1470	10	200	725
-	132	117	770	3	23000	17250	-	-	-	-	-



Weight of Anchor Chain Fittings
锚链附件重量表

Diameter mm	Common Link kgs	Enlarged Link kgs	End Link kgs	Joining Shackle Kenter kgs	Joining Shackle Type D kgs	Anchor Shackle Type D kgs	Swivel kgs	Swivel Shackle kgs
12.5	0.17	0.23	0.23	0.39	0.8	1.1	0.9	--
14	0.24	0.32	0.36	0.51	1.1	1.3	1.3	--
16	0.36	0.5	0.51	0.62	1.3	1.6	1.7	--
17.5	0.47	0.74	0.68	0.82	1.6	2.0	2.1	--
19	0.60	0.88	0.89	1.00	1.8	2.5	2.5	--
20.5	0.75	1.10	1.13	1.35	2.1	3.3	3.1	--
22	0.93	1.25	1.28	1.6	2.5	4.0	3.5	10
24	1.21	1.70	1.77	2.0	3.5	5.0	5.0	14
26	1.55	2.15	2.20	2.7	4.3	6.0	6.0	18
28	1.9	2.8	2.9	3.3	5.0	8.0	7.5	23
30	2.4	3.2	3.3	3.9	7.0	9.5	9.0	28
32	2.9	3.9	4.0	4.6	7.5	12.0	11.0	33
34	3.4	4.7	5.0	5.8	9.5	14.0	13.5	38
36	4.0	5.5	5.9	6.6	11.0	17.0	16.0	46
38	4.7	6.1	6.8	7.8	13.0	20.0	19.0	53
40	5.5	7.1	8.0	9.1	15.0	23.0	23.0	61
42	6.4	8.4	9.6	10.5	17.5	26.0	27.0	69
44	7.4	10.0	11.2	12.2	20.0	29.0	32.0	75
46	8.5	11.5	13.0	14.0	22.5	33	37.0	82
48	9.8	13.1	15.0	16.0	26.0	37	44.0	90
50	11	15	17	18	29	41	57	97
52	13	17	20	20	31	45	57	105
54	14	19	22	20	34	50	67	113
56	16	21	23	24	38	54	67	120
58	17	23	25	28	44	65	80	129
60	19	25	27	28	48	70	95	140
62	21	28	30	33	52	76	95	140
64	23	31	34	38	57	82	112	155
66	25	34	38	38	66	94	130	180
68	27	37	42	44	70	101	130	180
70	30	40	45	44	75	108	152	200
73	34	45	52	51	87	124	172	250
76	39	50	59	58	99	141	194	315

Weight of Anchor Chain Fittings
锚链附件重量表

Diameter mm	Common Link kgs	Enlarged Link kgs	End Link kgs	Joining Shackle Kenter kgs	Joining Shackle Type D kgs	Anchor Shackle Type D kgs	Swivel kgs	Swivel Shackle kgs
78	42	55	63	65	106	150	194	315
81	46	61	70	74	119	171	220	375
84	52	68	78	84	134	193	242	425
87	58	75	86	94	150	218	270	475
90	64	82	95	105	167	243	300	540
92	68	88	100	105	175	256	325	570
95	75	98	112	115	200	290	350	610
97	80	102	120	135	210	305	350	610
100	88	112	130	150	230	335	385	680
102	93	120	138	150	243	350	420	772
107	109	140	158	175	285	410	495	830
111	120	160	175	200	305	445	535	860
114	130	173	193	225	325	475	570	900
117	142	185	210	225	345	505	610	950
122	160	210	235	267	380	550	650	1000
127	182	235	260	315	420	600	720	1080
132	205	260	305	370	480	675	760	1150
137	230	285	330	390	550	750	900	1500
142	255	325	375	450	650	900	1100	1900

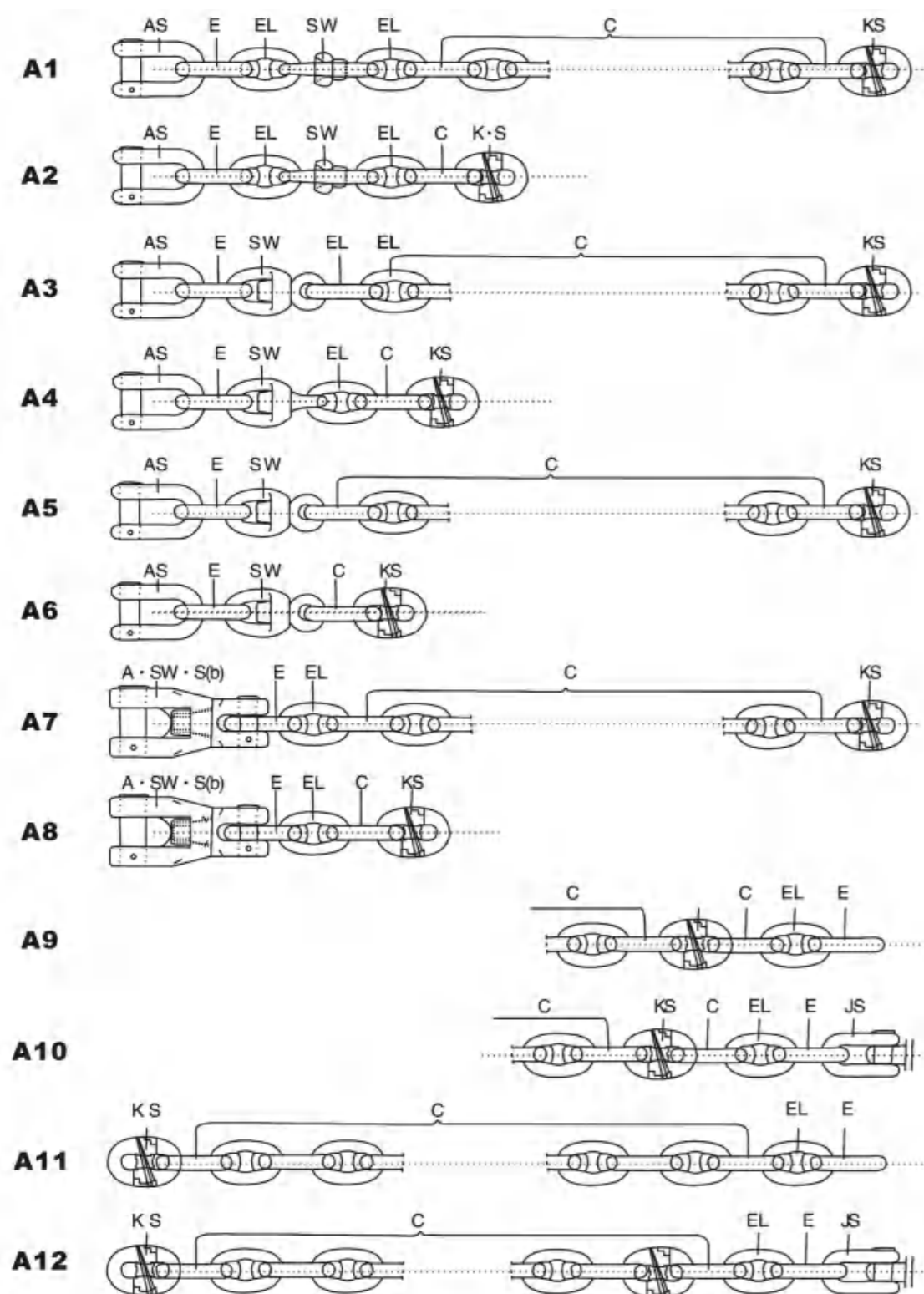
重量仅供参考，不对本表数据与实际提供产品差别负责。

The measurements are changed due to models. Can not responsible for any deviations between this table and delivered products.

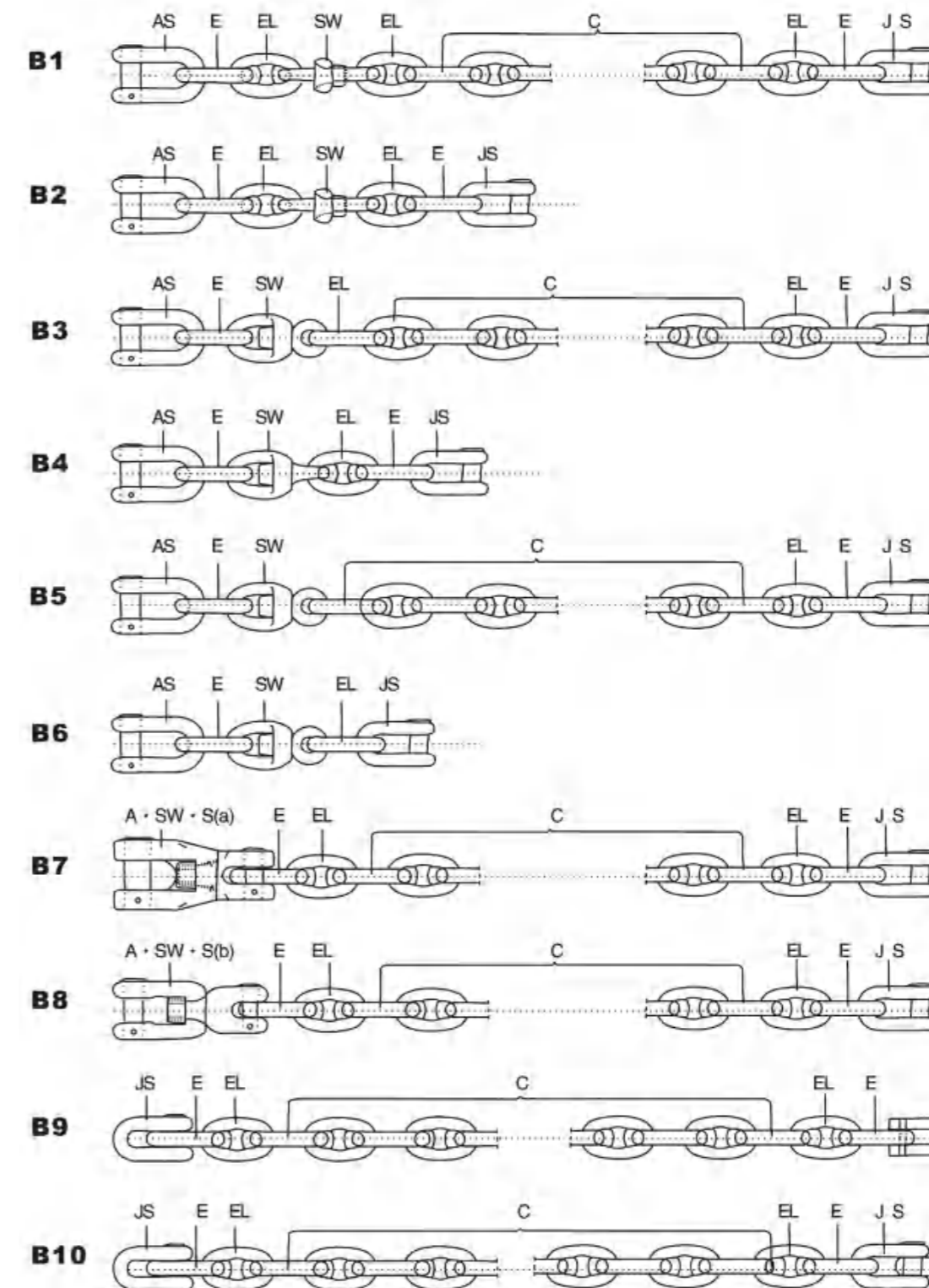


Joining From Fittings 连接方式

Arrangement Forms of anchor chain and fittings(KS)
肯特式连接链环连接形式



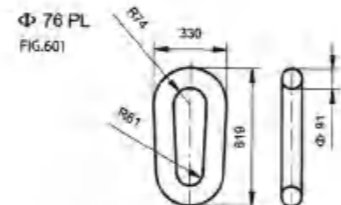
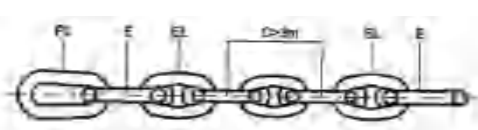
Arrangement Forms of anchor chain and fittings(JS)
“D”型连接卸扣连接形式



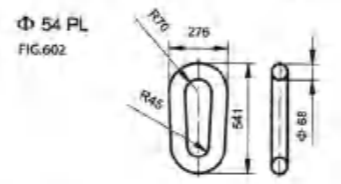
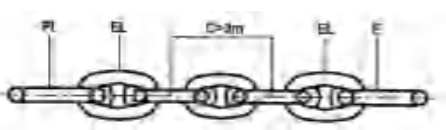
As the dimensions of the anchor ring are not standardized please check in every case the anchor ring can be fitted into A.S.(A.SW.S)

Chafe Chain=CC 摩擦链

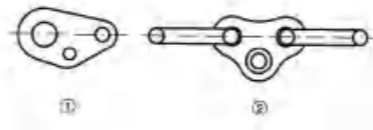
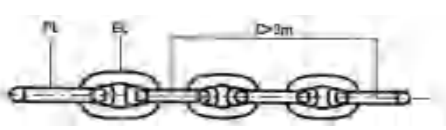
22CC



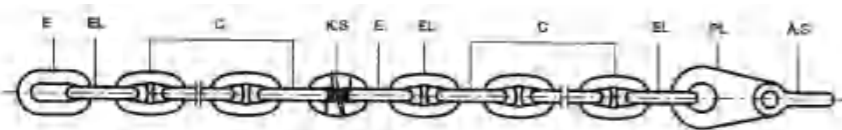
23CC



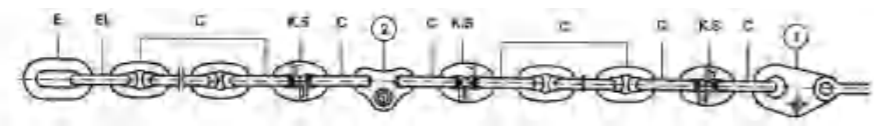
24CC



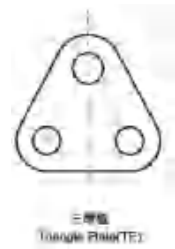
25CC



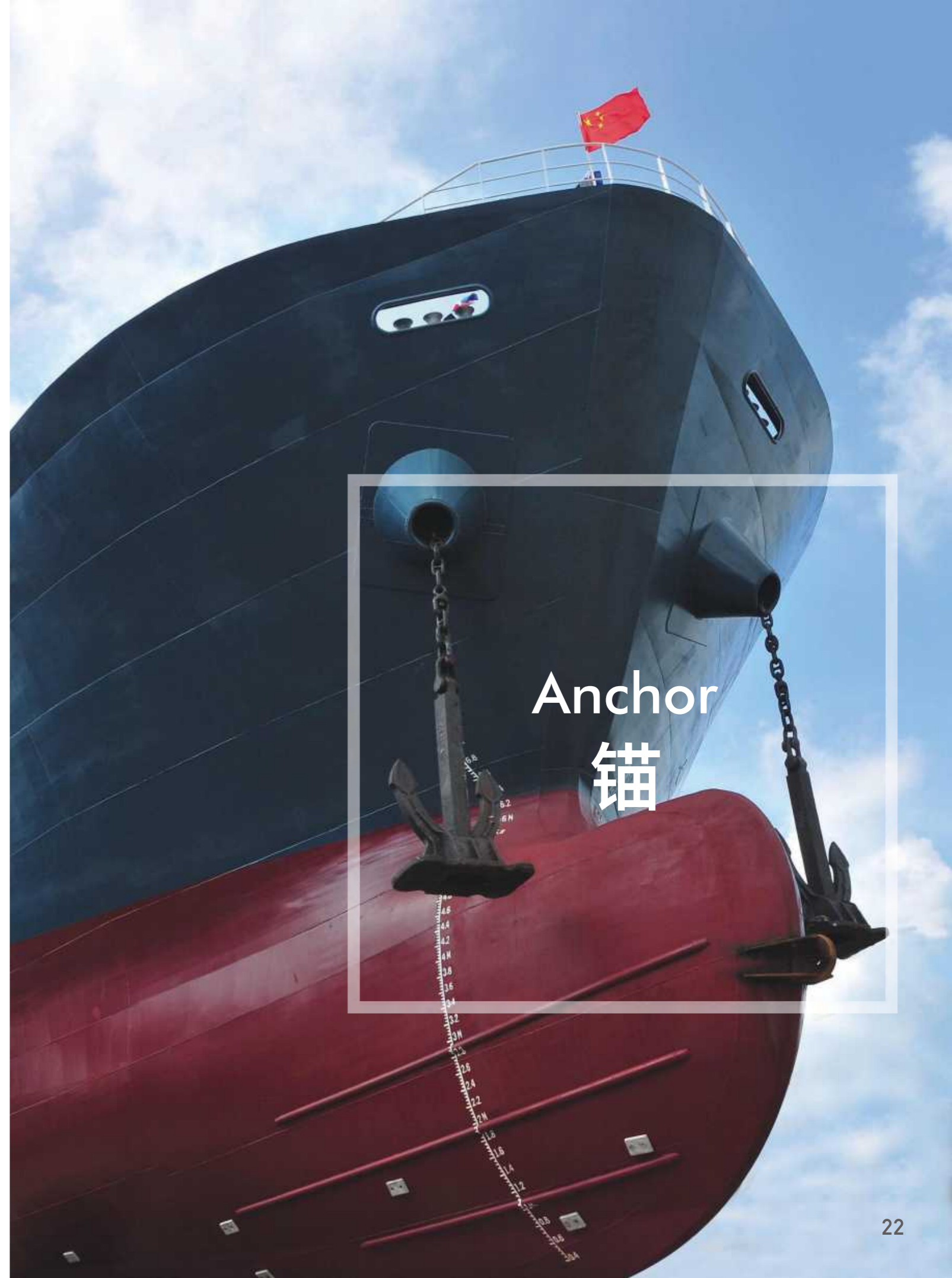
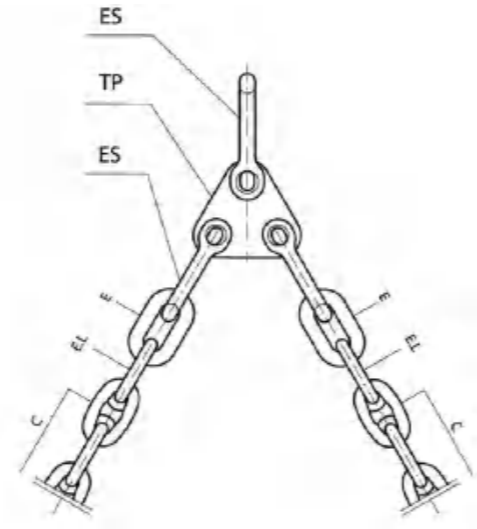
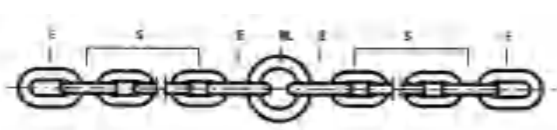
26CC



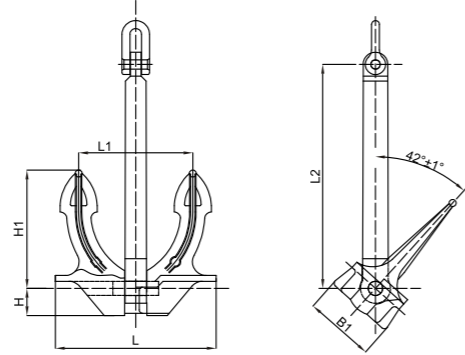
Buoy Chain=BC 浮筒链



BC1

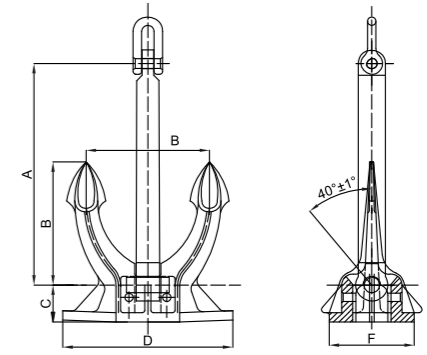


Anchor
锚

JIS Stockless Anchor
 日式无杆锚


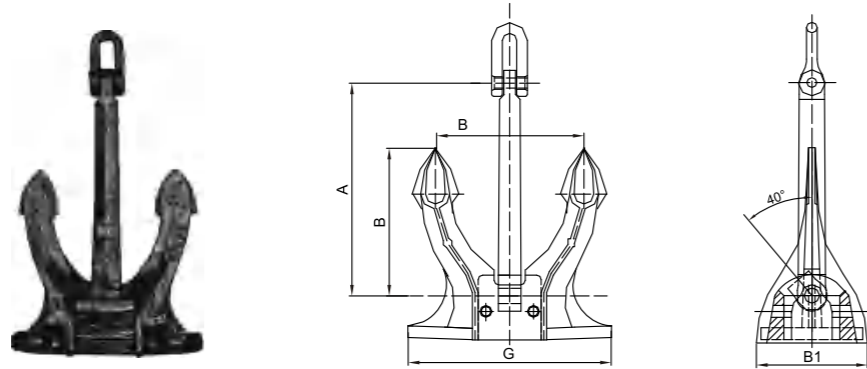
Nominal weight 锚的名义重量 kg	尺寸 mm					
	L	L1	L2	H	H1	B1
180	650	4590	910	111	480	280
240	720	510	1010	122	530	310
300	770	540	1080	131	570	331
360	820	580	1150	139	610	353
420	860	610	1200	146	640	370
480	900	640	1260	153	670	387
570	950	670	1330	162	700	408
660	1000	710	1440	170	740	430
780	1060	750	1480	180	780	456
900	1110	780	1550	189	820	477
1020	1160	820	1620	197	860	500
1140	1200	850	1680	204	890	520
1290	1250	880	1750	212	920	540
1440	1300	920	1820	221	960	560
1590	1340	950	1880	228	990	580
1740	1380	980	1930	235	1020	600
1920	1430	1010	2000	243	1060	620
2100	1470	1040	2060	250	1090	640
2280	1510	1070	2110	257	1120	650
2460	1550	1100	2170	264	1150	670
2640	1590	1120	2230	270	1180	690
2850	1630	1150	2280	277	1210	700
3060	1670	1180	2340	284	1240	720
3300	1710	1210	2390	291	1270	740
3540	1750	1240	2450	298	1290	750
3780	1790	1260	2510	304	1320	770

Nominal weight 锚的名义重量 kg	尺寸 mm					
	L	L1	L2	H	H1	B1
4050	1830	1290	2560	311	1350	790
4320	1870	1320	2620	318	1380	800
4590	1910	1350	2670	325	1410	820
4890	1950	1380	2730	332	1440	840
5250	2000	1410	2800	340	1480	860
5610	2040	1440	2860	347	1510	880
6000	2090	1480	2930	355	1540	900
6450	2140	1510	3000	364	1580	920
6900	2190	1550	3070	372	1620	940
7350	2240	1580	3140	380	1650	960
7800	2280	1610	3190	388	1680	980
8300	2330	1650	3260	396	1720	1000
8700	2380	1670	3320	403	1750	1020
9300	2420	1710	3390	411	1790	1040
9900	2470	1740	3460	420	1820	1060
10500	2520	1780	3530	428	1860	1080
11100	2570	1820	3600	437	1900	1100
11700	2610	1840	3650	444	1930	1120
12300	2650	1870	3710	450	1960	1140
12900	2690	1900	3770	457	1990	1160
13500	2740	1940	3840	466	2020	1180
14100	2780	1960	3890	473	2050	1200
14700	2820	1990	3950	479	2080	1210
15400	2860	2020	4000	486	2110	1230
16100	2900	2050	4060	493	2140	1250

CB711-95 Spek Anchor
 斯贝克锚


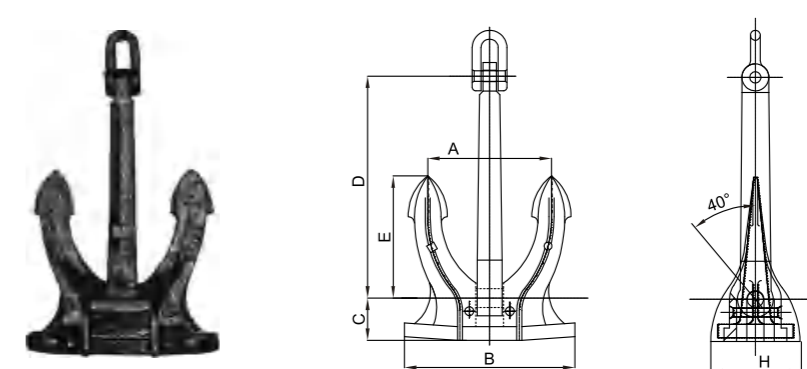
Nominal weight 锚的名义重量 kg	尺寸 mm				
	A	B	C	D	F
100	672	373	112	515	250
150	770	428	128	590	290
180	846	470	140	640	300
240	900	500	150	690	358
300	900	550	166	760	398
360	1065	600	180	828	417
420	1080	600	180	828	431
480	1170	650	196	900	446
570	1170	650	196	900	475
660	1260	700	210	962	486
780	1355	750	225	1032	519
900	1445	800	240	1100	547
1020	1538	850	252	1170	573
1140	1620	900	268	1240	591
1290	1710	900	268	1240	620
1440	1710	950	279	1300	640
1590	1710	950	279	1300	671
1740	1800	1000	300	1378	669
1920	1850	1050	312	1454	704
2100	1890	1050	312	1454	717
2280	2010	1050	312	1454	736
2460	2010	1100	324	1514	764
2640	2070	1150	352	1584	794
2850	2070	1150	352	1584	804
3060	2155	1200	360	1650	802
3300	2155	1200	360	1650	834
3540	2350	1200	360	1650	834
3780	2400	1350	393	1850	880
4050	2430	1350	393	1850	917

Nominal weight 锚的名义重量 kg	尺寸 mm				
	A	B	C	D	F
4320	2520	1400	413	1926	914
4590	2520	1400	413	1926	931
4890	2520	1400	413	1926	954
5250	2610	1450	414	2000	964
5610	2610	1450	414	2000	981
6000	2700	1500	446	2060	1006
6450	2700	1500	446	2060	1028
6900	2890	1550	456	2138	1034
7350	2890	1550	456	2138	1062
7800	2920	1550	456	2138	1091
8300	3060	1700	510	2332	1126
8700	3060	1700	510	2332	1156
9300	3060	1700	510	2332	1188
9900	3160	1700	510	2332	1188
10500	3190	1770	531	2440	1187
11100	3290	1770	531	2440	1212
11700	3390	1770	531	2440	1237
12300	3440	1910	573	2632	1279
12900	3440	1910	573	2632	1279
13500	3440	1910	573	2632	1316
14100	3440	1910	573	2632	1353
14700	3690	2050	615	2824	1369
15400	3690	2050	615	2824	1369
16100	3690	2050	615	2824	1387
16900	3820	2120	636	2922	1415
17800	3950	2120	636	2922	1431
18800	3950	2190	657	3018	1461
20000	4070	2190	657	3018	1493
26000	4250	2360	716	3256	1618

Type SR Spek Anchor
SR型斯贝克锚


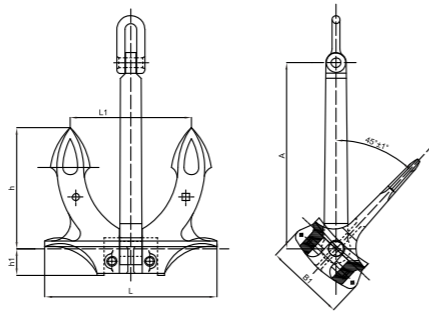
Nominal weight 锚的名义重量 kg	尺寸 mm			
	A	B	B1	G
210	810	500	340	690
240	810	500	340	690
300	980	550	390	760
360	970	600	412	828
420	970	600	412	828
450	970	600	412	828
480	1050	650	442	900
570	1050	650	442	900
610	1134	700	472	962
660	1134	700	472	962
750	1215	750	508	1032
780	1215	750	519	1032
900	1296	800	547	1100
980	1296	800	547	1100
1020	1377	850	573	1170
1040	1458	900	591	1240
1100	1458	900	620	1240
1200	1539	950	640	1300
1300	1539	950	640	1300
1400	1539	950	671	1300
1500	1539	950	671	1300
1650	1620	1000	669	1378
1800	1700	1050	704	1454
1920	1700	1050	717	1454
2100	1700	1050	736	1454
2190	1700	1050	736	1454
2280	1782	1100	764	1454
2460	1863	1150	794	1584
2640	1863	1150	804	1584
2850	1944	1200	812	1650

Nominal weight 锚的名义重量 kg	尺寸 mm			
	A	B	B1	G
3300	1944	1200	834	1650
3540	1944	1200	834	1650
3780	2187	1350	880	1850
4050	2187	1350	914	1850
4320	2268	1400	917	1926
4590	2268	1400	931	1926
4890	2268	1400	954	1926
5250	2349	1450	964	2000
5610	2349	1450	981	2000
5800	2430	1500	1006	2060
6000	2430	1500	1006	2060
6450	2430	1500	1023	2060
6900	2510	1550	1034	2138
7350	2510	1550	1062	2138
7800	2510	1550	1091	2138
8000	2510	1550	1091	2138
8300	2754	1700	1125	2332
8700	2754	1700	1166	2332
9300	2754	1700	1188	2332
9900	2754	1700	1188	2332
10500	2867	1770	1197	2440
11100	2867	1770	1212	2440
11700	2867	1770	1237	2440
12300	3094	1910	1279	2632
12900	3094	1910	1279	2632
13500	3094	1910	1316	2632
14700	3321	2050	1369	2824
16900	3434	2120	1415	2922
18800	3548	2190	1461	3018
20000	3548	2190	1493	3018

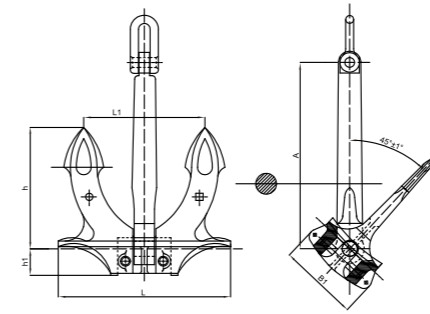
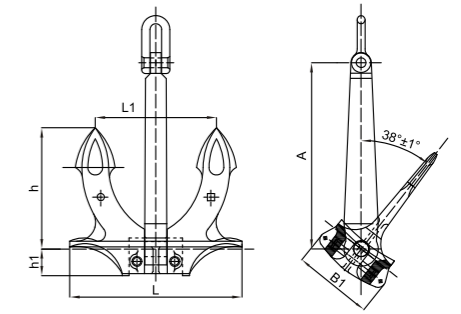
Type M Spek Anchor
M型斯贝克锚


Nominal weight 锚的名义重量 kg	尺寸 mm					
	A	B	C	D	E	H
80	339	468	108	611	336	222
105	371	512	120	669	336	242
135	371	512	149	669	368	254
180	445	613	142	800	440	290
240	445	613	182	800	440	304
300	527	727	168	949	522	344
360	527	727	190	949	522	358
420	590	813	188	1062	584	385
480	590	813	211	1062	584	395
570	652	900	208	1175	647	428
660	653	900	236	1175	647	438
780	725	1000	231	1305	718	473
900	725	1000	264	1305	718	485
1020	793	1093	252	1428	785	518
1140	793	1093	277	1428	785	530
1290	858	1183	273	1544	850	561
1440	858	1183	299	1544	850	573
1590	920	1268	293	1655	911	604
1740	920	1268	315	1655	911	611
1920	980	1350	312	1761	970	640
2100	980	1350	337	1761	970	650
2280	1038	1430	331	1866	1027	678
2460	1038	1430	355	1966	1027	688
2640	1090	1500	347	1959	1079	712
2850	1190	1500	380	1950	1079	722
3060	1144	1578	365	2058	1133	748
3300	1144	1578	387	2058	1133	760
3540	1202	1656	383	2159	1189	785
3780	1202	1656	405	2159	1189	797

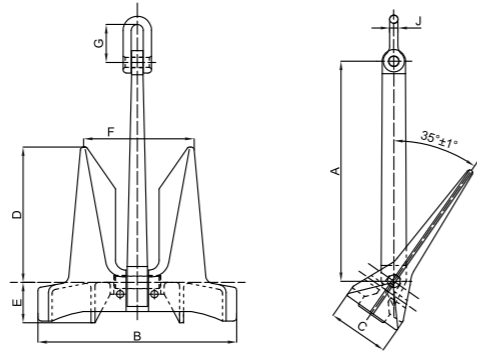
Nominal weight 锚的名义重量 kg	尺寸 mm					
	A	B	C	D	E	H
4050	1257	1732	400	2258	1244	821
4320	1257	1732	422	2258	1244	831
4590	1257	1732	444	2258	1244	841
4890	1338	1846	426	2405	1325	874
5250	1338	1846	450	2405	1325	888
5610	1432	1974	431	2405	1418	936
6000	1432	1974	457	2577	1418	936
6450	1432	1974	483	2577	1418	950
6900	1533	2112	462	2577	1518	1001
7350	1533	2112	488	2577	1518	1001
7800	1533	2112	514	2577	1518	1015
8300	1621	2234	489	2916	1605	1059
8700	1621	2234	517	2916	1605	1059
9300	1621	2234	545	2916	1605	1074
9900	1726	2380	520	3015	1709	1128
10500	1726	2380	550	3105	1709	1128
11100	1726	2380	580	3105	1709	1138
11700	1819	2507	554	3273	1801	1188
12300	1819	2507	580	3273	1801	1188
12900	1819	2507	607	3273	1801	1200
13500	1904	2624	577	3425	1885	1243
14100	1904	2624	607	3425	1885	1243
14700	1904	2624	650	3425	1885	1243
15400	1904	2624	657	3425	1885	1263
16100	2018	2782	612	3632	1998	1318
16900	2018	2782	638	3632	1998	1318
17800	2018	2782	683	3632	1998	1318
18800	2018	2782	699	3632	1998	1343
20000	2170	2990	652	3905	2148	1416

Type A B C Hall Anchor
霍尔锚A B C

Type A Hall Anchor

Nominal weight 锚的名义重量 kg	H			h	h1	L	L1	B1
	A型	B型	C型					
40	557	557	430	303	67	430	303	198
60	637	637	492	347	76	492	347	227
100	760	760	590	410	90	584	410	270
125	814	814	629	443	97	629	443	290
150	866	866	665	470	103	670	470	308
180	919	919	710	500	110	710	500	327
240	1019	1019	788	552	121	784	552	361
300	1095	1095	850	595	130	844	595	388
360	1160	1160	898	630	138	898	630	412
420	1222	1222	946	660	145	946	660	434
480	1282	1282	986	690	152	988	690	454
570	1356	1356	1042	732	161	1042	732	481
660	1422	1422	1093	769	169	1096	769	506
780	1506	1506	1159	813	178	1160	813	535
900	1580	1580	1215	855	188	1220	855	560
1020	1645	1645	1268	891	195	1268	891	584
1140	1705	1705	1316	926	203	1319	926	605
1290	1778	1778	1378	965	211	1374	965	630
1440	1844	1844	1448	1001	219	1430	1001	655
1590	1906	1906	1511	1035	226	1475	1035	677
1740	1966	1966	1571	1068	234	1517	1068	698
1920	2031	2031	1602	1104	241	1568	1104	722
2100	2093	2093	1651	1136	249	1614	1136	743
2280	2150	2150	1716	1165	255	1657	1165	763
2460	2207	2207	1785	1194	262	1700	1194	784
2640	2259	2259	1843	1221	268	1741	1221	801
2850	2318	2318	1890	1253	275	1787	1253	822
3060	2374	2374	1935	1283	282	1832	1283	841
3300	2432	2432	1985	1317	288	1880	1317	862
3540	2490	2490	2032	1349	295	1926	1349	883
3780	2547	2547	2077	1376	302	1965	1376	902
4050	2610	2610	2125	1406	309	2008	1406	924
4320	2661	2661	2171	1435	316	2051	1435	943
4590	2712	2712	2216	1465	322	2093	1465	962
4890	2769	2769	2263	1498	329	2135	1498	984
5250	2836	2836	2317	1535	337	2185	1535	1008
5610	2899	2899	2369	1569	345	2234	1569	1031
6000	2965	2965	2422	1605	352	2284	1605	1054
6450	3037	—	2482	1644	361	2340	1644	1080
6900	3100	—	2538	1681	369	2393	1681	1105

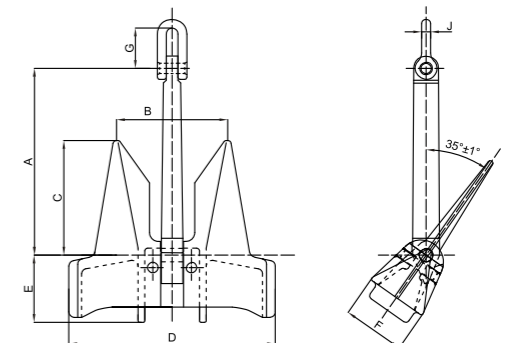
Type A B C Hall Anchor
霍尔锚A B C

Type B Hall Anchor

Type C Hall Anchor

Nominal weight 锚的名义重量 kg	H			h	h1	L	L1	B1
	A型	B型	C型					
7350	3173	—	2592	1717	377	2444	1717	1129
7800	3235	—	2644	1752	385	2493	1752	1152
8300	3363	—	2699	1788	393	2545	1788	1176
8700	3355	—	2742	1816	399	2585	1816	1195
9300	3430	—	2804	1857	408	2643	1857	1222
9900	3502	—	2863	1896	417	2699	1896	1248
10500	3571	—	2920	1934	425	2752	1934	1273
11100	3638	—	2975	1970	433	2803	1970	1297
11700	3702	—	3028	2005	441	2853	2005	1320
12300	3764	—	3079	2039	448	2901	2039	1342
12900	3824	—	3128	2072	455	2947	2072	1363
13500	3882	—	3176	2104	462	2992	2104	1384
14100	3939	—	3222	2135	469	3036	2135	1404
14700	3994	—	3267	2165	476	3078	2165	1424
15400	4056	—	3318	2199	483	3126	2199	1446
16100	4117	—	3368	2232	490	3173	2232	1468
16900	4184	—	3423	2268	498	3225	2268	1492
17800	4252	—	3479	2308	506	3281	2308	1518
18800	4330	—	3543	2350	516	3341	2350	1546
20000	4420	—	3617	2399	526	3411	2399	1578
21500	4528	—	3705	2458	539	3494	2458	1617
23000	4631	—	3789	2514	551	3573	2514	1654
24500	4730	—	3870	2568	563	3649	2568	1689
26000	4825	—	3947	2619	574	3722	2619	1723
27500	4916	—	4021	2668	585	3792	2668	1756
29000	5004	—	4093	2716	595	3860	2716	1787
31000	5126	—	4188	2774	609	3949	2774	1822
33000	5234	—	4276	2833	622	4032	2833	1860
35500	5363	—	4381	2903	637	4132	2903	1906
38500	5510	—	4502	2982	655	4245	2982	1958
42000	5672	—	4634	3070	674	4370	3070	2015
46000	5847	—	4777	3165	695	4505	3165	2078

Type AC-14 HHP Anchor
AC-14 大抓力锚


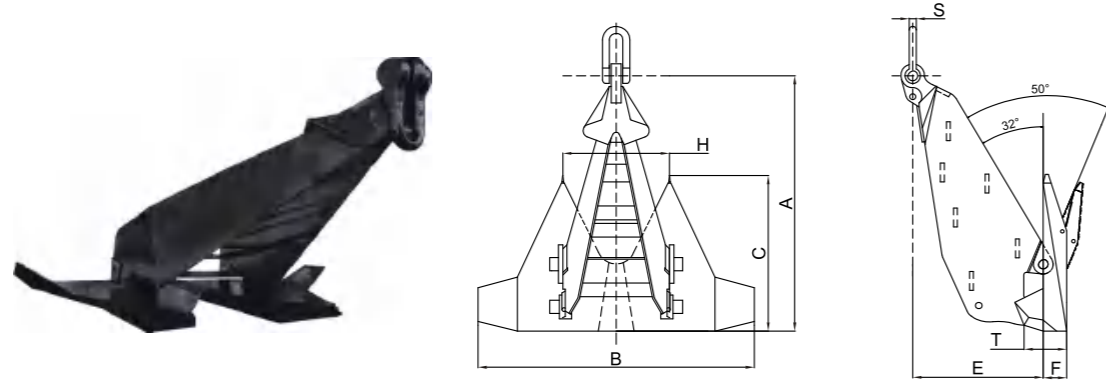
Nominal weight 锚的名义重量 kg	尺寸 mm							
	A	B	C	D	E	F	G	J
56	612	298	376	555	109	170	115	24
100	745	364	458	675	133	200	130	28
180	909	442	558	822	162	252	160	36
300	1075	524	660	975	194	298	192	45
428	1213	590	745	1098	216	336	215	48
675	1412	690	868	1278	250	390	255	60
765	1470	718	906	1335	263	408	255	60
910	1560	760	957	1410	273	430	280	62
1080	1650	805	1014	1495	294	455	280	62
1305	1760	858	1028	1595	315	485	310	68
1440	1818	885	1118	1645	324	505	310	68
1710	1925	940	1184	1745	343	532	310	68
2100	2065	1005	1270	1865	367	570	385	82
2475	2178	1062	1340	1970	385	602	385	82
2794	2265	1105	1393	2055	404	625	410	90
3550	2455	1198	1508	2225	438	680	410	90
4500	2655	1295	1632	2405	473	735	450	100
5610	2858	1396	1758	2590	509	790	500	110
6000	2922	1426	1796	2645	521	810	500	110
6900	3062	1496	1884	2775	546	848	540	117
7800	3190	1558	1962	2890	569	884	580	121
8300	3256	1590	2002	2950	581	902	600	130
9300	3382	1652	2080	3064	603	936	630	135
9900	3452	1686	2124	3128	616	956	640	140
9900	3523	1720	2166	3192	628	976	640	140
11100	3589	1752	2207	3252	637	994	660	145
11700	3650	1782	2245	3308	648	1010	680	150

Nominal weight 锚的名义重量 kg	尺寸 mm							
	A	B	C	D	E	F	G	J
12300	3712	1812	2283	3364	660	1028	700	155
12900	3772	1842	2320	3418	670	1044	700	155
13500	3830	1870	2355	3470	679	1060	700	155
14100	3885	1896	2389	3520	689	1076	730	160
14700	3940	1924	2423	3570	700	1090	730	160
15400	4002	1954	2461	3626	710	1108	730	160
16100	4062	1982	2498	3680	721	1125	770	170
16900	4128	2016	2538	3740	721	1144	770	170
17800	4200	2050	2583	3806	725	1162	800	180
18800	4277	2088	2630	3875	729	1185	800	180
20000	4350	2101	2694	3945	729	1185	820	199
25000	5046	2437	3125	4577	846	1375	848	230

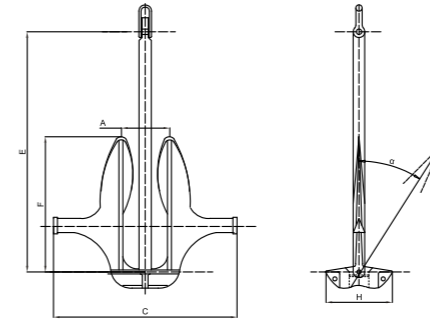

Type AC-14 SB HHP Anchor
AC-14 大抓力全平衡锚


Nominal weight 锚的名义重量 kg	尺寸 mm							
	A	B	C	D	E	F	G	J
75	550	326	350	606	188	185	115	24
100	607	380	385	704	207	200	130	28
120	635	380	402	704	217	215	145	32
180	742	442	470	822	254	252	160	36
225	828	495	525	915	283	277	175	40
250	828	495	525	915	283	280	175	40
300	882	525	559	975	301	298	192	45
340	918	548	582	1015	313	310	215	48
360	918	548	582	1015	313	313	215	48
430	990	590	628	1098	339	336	215	48
495	1025	610	650	1135	350	348	235	50
585	1102	658	699	1220	376	375	235	50
675	1152	690	731	1278	394	390	255	60
765	1205	718	764	1335	411	408	255	60
855	1250	745	793	1385	427	420	280	62
970	1300	775	826	1445	444	440	280	62
1080	1350	805	855	1495	461	455	280	62
1200	1400	835	887	1545	478	470	310	68
1305	1440	858	913	1595	492	485	310	68
1440	1486	885	943	1645	507	505	310	68
1575	1534	915	972	1695	523	518	340	74
1710	1575	940	998	1745	538	532	340	74
1845	1616	965	1025	1785	552	546	340	74
1980	1650	985	1048	1830	564	560	380	82
2100	1686	1005	1070	1865	575	570	380	82
2295	1738	1035	1102	1920	593	588	380	82
2475	1780	1062	1128	1970	607	602	385	82
2655	1820	1085	1155	2018	621	615	385	82
2835	1862	1109	1180	2057	635	625	410	90
3040	1896	1130	1204	2100	646	640	410	90
3550	2030	1198	1287	2225	693	680	415	100
3940	2080	1240	1318	2300	709	705	450	100

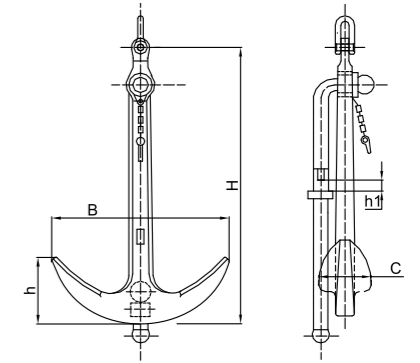
Nominal weight 锚的名义重量 kg	尺寸 mm							
	A	B	C	D	E	F	G	J
4500	2170	1295	1376	2405	741	735	450	100
4840	2225	1330	1410	2465	760	755	480	110
5175	2275	1358	1443	2520	777	770	480	110
5610	2339	1396	1483	2590	798	790	500	110
6000	2390	1426	1515	2646	816	810	500	110
6225	2420	1443	1534	2678	826	820	540	117
6525	2450	1462	1554	2712	836	830	540	117
6975	2507	1496	1589	2775	855	848	580	121
7350	2560	1526	1622	2832	873	866	580	121
7875	2610	1558	1655	2890	891	884	600	130
8325	2665	1590	1689	2950	909	902	600	130
8775	2707	1614	1715	2996	924	916	630	135
9300	2765	1652	1754	3064	945	936	640	140
9675	2805	1674	1778	3104	957	948	640	140
10125	2850	1700	1806	3152	972	960	640	140
10575	2880	1720	1827	3192	984	976	660	145
11025	2930	1750	1859	3247	1001	990	660	145
11700	2987	1782	1894	3308	1019	1010	700	155
12075	3010	1800	1906	3343	1027	1020	700	155
12675	3065	1812	1945	3364	1047	1028	700	155
13350	3132	1870	1986	3470	1069	1060	700	155
14100	3178	1896	2015	3520	1084	1076	730	160
14700	3228	1924	2045	3570	1099	1090	730	160
15400	3272	1954	2075	3626	1117	1108	770	170
16100	3320	1980	2110	3680	1132	1125	770	170
16900	3350	2000	2126	3720	1144	1144	770	170
17250	3380	2016	2142	3740	1151	1144	770	170
17800	3440	2050	2180	3806	1173	1162	800	180
18800	3500	2088	2220	3875	1193	1185	800	180
20000	3573	2132	2265	3956	1220	1210	820	185
25000	4100	2437	2600	4577	1399	1375	880	200
30000	4358	2888	2765	4663	1484	1380	940	210

WAC-MK5 Type High Holding Power Anchor
WAC-MK5 型大抓力锚


Nominal weight 锚的名义重量 kg	尺寸 mm								Shackle model 卸扣型号
	A	B	C	E	F	H	T	S	
1000	2580	2780	1582	1314	236	1074	430	62	a14
1500	2954	3184	1812	1505	271	1230	493	80	a17
3000	3721	4011	2283	1896	342	1550	622	90	a19
5000	4412	4756	2707	2248	406	1837	738	110	a23
7000	4910	5290	3011	2500	453	2045	825	117	a25
8000	5161	5563	3166	2629	474	2149	862	130	a27
10000	5559	5992	3410	2832	511	2315	929	140	a29
12000	5908	6368	3624	3010	543	2460	988	150	a31
14000	6219	6704	3815	3169	572	2590	1040	160	a33
15000	6364	6860	3904	3242	585	2650	1064	170	a34
18000	6763	7290	4149	3446	622	2816	1131	180	a35
20000	7004	7550	4297	3569	644	2917	1171	190	a37
22000	7230	7794	4436	3684	665	3011	1209	200	a39
25000	7545	8133	4629	3844	694	3142	1262	200	a39
30000	8018	8643	4919	4085	737	3339	1341	220	a42


CB-57-77 high holding power matrosov anchor
马氏大抓力锚


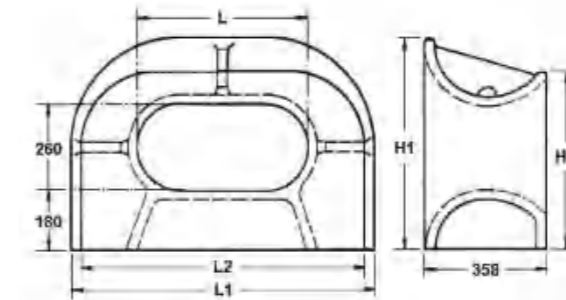
Nominal weight 锚的名义重量 kg	尺寸 mm					
	H	C	E	F	H	α
25	130	570	690	385	214	28~30
35	148	620	760	420	230	30~32
50	170	680	840	480	250	30~32
75	190	770	950	540	270	30~32
100	210	830	1060	590	290	30~32
125	226	870	1130	630	310	30~32
150	242	910	1190	670	330	30~32
200	270	980	1300	740	370	30~32
250	294	1040	1380	800	400	33~37
300	312	1090	1480	850	430	33~37
400	342	1190	1630	930	480	33~37
500	366	1280	1750	1000	520	33~37
650	400	1385	1910	1090	565	33~37
750	418	1450	2000	1140	590	33~37
1000	452	1570	2170	1240	630	33~37
1250	488	1660	2280	1300	660	33~37
1500	515	1715	2370	1350	675	33~37


GB/T545-1996 Admiralty Anchor
海军锚


Nominal weight 锚的名义重量 kg	尺寸 mm				
	H	h	h1	B	C
50	960	230	42	635	185
75	1105	266	45	710	210
100	1215	293	49	780	230
125	1310	316	52	840	245
150	1395	336	55	900	265
200	1535	370	61	990	290
250	1650	398	65	1065	310
300	1755	423	70	1105	330
400	1930	465	77	1240	365
500	2080	502	84	1335	390
600	2210	533	89	1440	415
700	2330	560	93	1500	440
800	2435	587	97	1570	460
900	2530	610	101	1630	475
1000	2620	633	104	1685	495
1250	2825	680	112	1810	535
1500	3000	725	118	1955	565
2000	3300	797	131	2140	625
2500	3550	857	138	2270	672
3000	3780	912	150	2415	715
3500	3980	960	158	2540	750
4000	4160	1000	155	2650	785
5000	4480	1100	184	2830	800
6000	4740	1113	190	3000	438
7000	5025	1180	200	3165	960
8000	5240	1280	210	3300	980
9000	5450	1330	220	3440	990
10000	5680	1340	230	3600	1085

Chock 导缆孔

Panama Chock-JIS F-2017 Type AC (Deck Mounted)

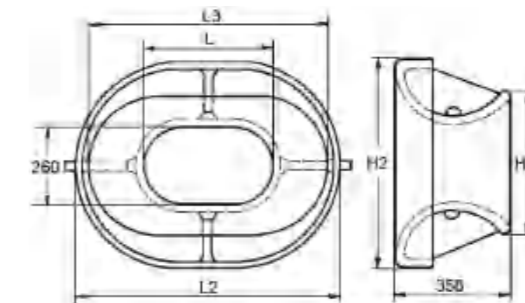


Product Code: AF-2017-AC

(JIS F-2017-AC)

Nominal Size (mm)	Dimensions (mm)					Mass (kgs)
	L	L1	L2	H1	H2	
310	310	708	652	639	541	253
360	360	760	704	640	542	289
400	400	804	750	642	545	323
450	450	856	802	643	547	351
500	500	908	854	644	549	395

Panama Chock-JIS F-2017 Type BC (Bulwark Mounted)



Product Code: AF-2017-BC

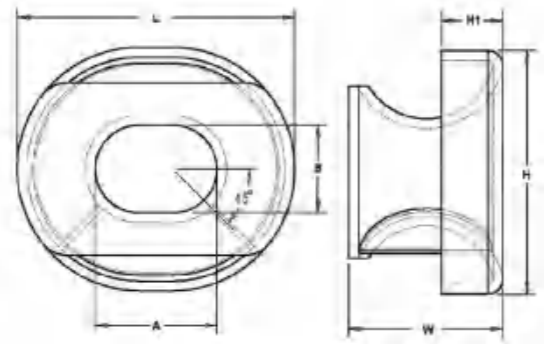
(JIS F-2017-BC)

Nominal Size (mm)	Dimensions (mm)					Mass (kgs)
	L	L2	L3	H2	H3	
310	310	734	652	684	462	276
360	360	788	701	688	464	305
400	400	832	750	692	470	344
450	450	886	702	696	474	385
500	500	940	854	700	478	422



Deck Fittings 舳装设备

Panama Chock-DIN-81915 Type A (Bulwark Mounted)



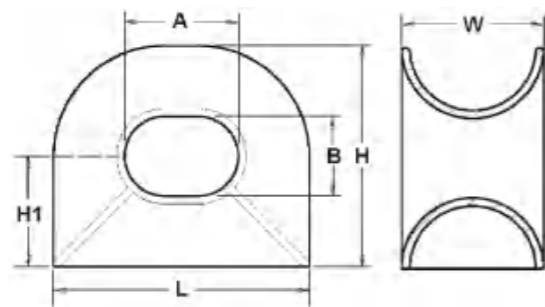
Product Code: AE-2306

(DIN 81915)

Model	SWL (kN)	Dimensions (mm)						Mass (kgs)
		L	W	H	H1	A	B	
A2	20	360	200	315	70	160	115	30
A3	30	450	250	390	75	200	140	50
A5	50	550	300	480	80	250	180	85
A8	80	680	360	585	90	320	225	140
A12	125	840	440	710	110	400	270	210
A20	200	1020	520	840	130	500	320	320
A32	320	1300	700	1100	150	600	400	800

Remark :Type A2 A8=Single Chock according to Panama Rules.
 Type A12 A32=Double Chock according to Panama Rules.

Panama Chock-DIN-81915 Type C (Bulwark Mounted)



Product Code: AE-2308

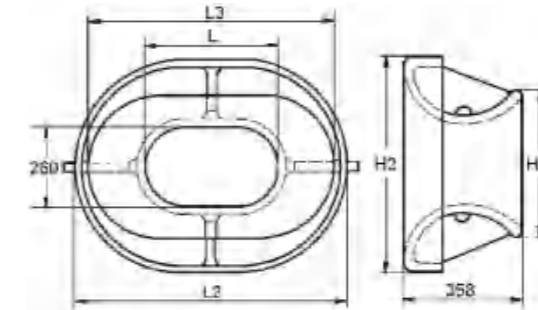
(DIN 81915)

Model	SWL (kN)	Dimensions (mm)						Mass (kgs)
		L	W	H	H1	A	B	
C2	20	360	200	316	158	160	115	29
C3	30	450	250	390	195	200	140	48
C5	50	550	300	480	240	250	180	85
C8	80	680	360	586	293	320	225	136
C12	125	840	440	710	355	400	270	211
C20	200	1020	520	840	420	500	320	356
C32	320	1300	700	1100	550	600	400	840

Remark :Type C2-C8=Single Chock according to Panama Rules.
 Type C12-C32=Double Chock according to Panama Rules.

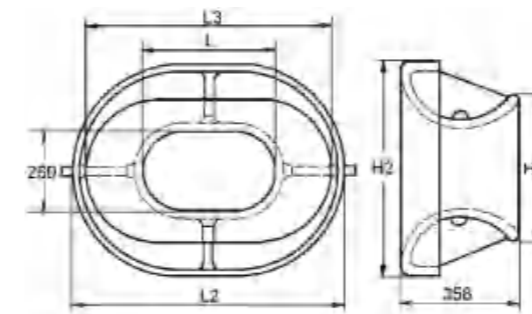
JIS F2030-1978 Single Point Mooring Pipes

Model:A



Nominal Size (mm)	L	L1	L2	H	H1	H2	B	R	R1	T	C	Mass (kg)	Dia. of Chain Rope		
													Chain	Wire	Fibre
400	400	780	570	300	680	460	350	150	210	35	65	210	50~60	30	80
500	500	940	690	400	840	580	400	200	240	40	70	340	62~73	40	90
600	600	1100	810	450	950	655	450	225	270	45	75	490	76~92	50	100
700	700	1260	930	500	1060	730	500	250	300	50	80	660	95~114	60	110
800	800	1420	1050	600	1220	850	550	300	330	55	85	880	117~132	70	120

Model:B

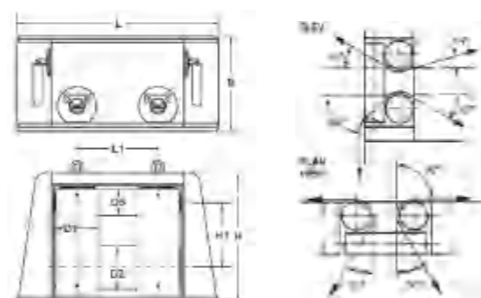


Nominal Size (mm)	L	L1	L2	H	H1	H2	H3	H4	B
400	400	800	600	300	320	300	200	260	350
500	500	960	720	400	370	350	250	310	400
600	600	1120	840	450	420	400	300	360	450
700	700	1280	960	500	470	450	350	410	500
800	800	1440	1080	600	520	500	400	460	550

Nominal Size (mm)	R	R1	R2	R3	R4	R5	T	C	D	D1	D2	Mass (kg)	Dia. of Chain Rope		
													Chain	Wire	Fibre
400	150	310	230	270	200	200	35	65	50	90	70	190	50~60	30	80
500	200	360	280	300	240	230	40	70	50	120	80	310	62~73	40	90
600	225	410	330	330	260	260	45	75	75	150	90	460	76~92	50	100
700	250	460	380	350	280	290	50	80	100	180	100	660	95~114	60	110
800	300	510	430	370	320	320	55	85	100	210	110	830	117~132	70	120

Roller Fairlead 滚柱导缆器

Horizontal Fairlead Roller - JIS F-2026 Type A



Horizontal Fairlead Roller-JIS F-2026 Type A (4 Rollers)

(JIS F-2026-A)

Nominal Dia. (mm)	Dimensions(mm)								Open Size	Wire Rope Dia.	SWL (Ton)	Mass (kgs)
	B	D1	D2	D3	H	H1	L	L1				
140	355	140	140	114	542	275	805	335	148 × 195	18	12	214
160	405	165	165	114	584	290	890	365	149 × 197	22.4	17	307
180	455	190	190	140	636	315	960	390	148 × 196	25	24	411
200	505	216	216	140	680	330	1049	420	150 × 226	28	28	568
250	610	267	267	165	824	415	1303	520	194 × 247	35	46	1000
315	715	318	318	216	998	420	1562	620	260 × 295	42	60	1624

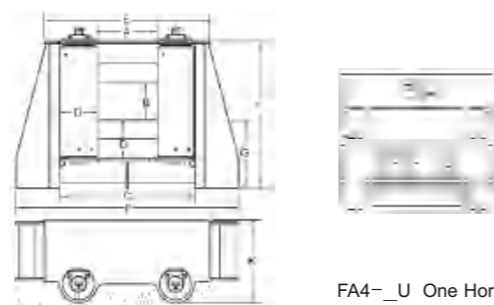
Note: 1.MBL may be MBL of actual Mooring Line.

2.Inboard Line Leads may correspond to actual Leads to Winch Drum.

3.Position of Line in aperture to be assumed such as to produce max. stress in part investigated.

4.Assume highest position to calculate stress in frame and roller bearings ; At mid-length of Roller to calculate bending in Roller.

Universal Fairlead Roller - 4 Rollers



Universal Fairlead Roller-Type FA4 (4 Rollers)

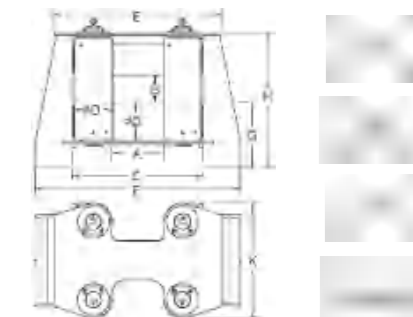
FA4- _U One Horizontal Roller in lower at outboard side.

Type	Rope Dia. (mm)	Dimensions(mm)									Mass (kgs)
		A	B	C	D	E	F	G	H	K	
FA4-12	12	180	100	356	80	446	650	160	370	170	75
FA4-16	16	230	130	446	100	546	785	200	480	210	120
FA4-20	20	250	130	506	120	714	900	250	520	250	180
FA4-24	24	280	160	576	140	716	1000	260	590	288	330
FA4-32	32	300	200	700	190	916	1185	340	752	415	580
FA4-40	40	400	250	900	245	1100	1479	450	970	548	1180
FA4-48	48	400	250	1018	300	1214	1700	470	1048	618	2210
FA4-56	56	400	250	1116	350	1336	1900	580	1216	710	2980
FA4-64	64	500	300	1360	420	1620	2300	720	1475	854	3680

Remark: 1.Design: For 1 Rope. 2.Mounting:Free on deck, welding into bulwark. 3.Bearing:High performance self-lubricating bearing.

4.SWL, Load Position, Safety Factor and Test Load : Please refer to recommended table (page 1).

Universal Fairlead Roller - 6 Rollers



FA6-40-U (7 Rollers)

FA6- _U One Horizontal Roller in lower at outboard side.

Universal Fairlead Roller-Type FA6 (6 Rollers)

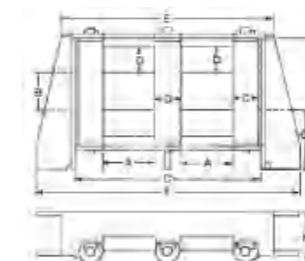
Type	Rope Dia. (mm)	Dimensions(mm)									Mass	
		A	B	C	D	E	F	G	H	K	KG1	KG2
FA6-12	12	180	100	356	80	446	650	160	370	255	85	95
FA6-16	16	230	130	446	100	546	800	200	480	315	145	165
FA6-20	20	250	130	506	120	626	900	250	520	375	255	290
FA6-24	24	280	160	576	140	716	1000	260	590	432	390	440
FA6-32	32	300	160	676	180	836	1200	340	752	549	700	920
FA6-40	40	320	180	830	245	1030	1350	450	970	750	1300	1550
FA6-48	48	400	250	1018	300	1214	1700	470	1048	930	1700	2100
FA6-64	64	500	300	1360	420	1620	2298	720	1475	1280	3600	3800

Remark: 1.Design:For 1 Rope. 2.Mounting:Free on deck, welding into bulwark. 3.Bearing:High performance self-lubricating bearing.

4.SWL, Load Position, Safety Factor and Test Load: Please refer to recommended table (page 1).

Note : KG 1 -1 Roller on left or right hand side. Total 5 rollers weight. KG 2 -Total 6 rollers weight.

Universal Fairlead Roller - 7 Roller



Universal Fairlead Roller-Type FB7 (7 Rollers)

FB7- _U (9 Rollers) 2 Horizontal Roller in lower at outboard side.

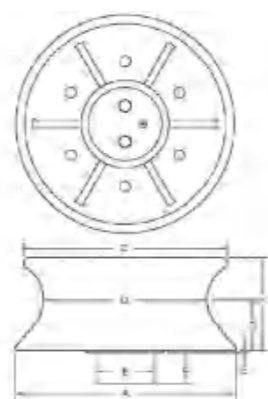
Type	Rope Dia. (mm)	Dimensions(mm)									Mass (kgs)
		A	B	C	D	E	F	G	H	K	
FB7-12	12	180	100	620	80	710	914	160	370	170	185
FB7-16	16	230	130	778	100	878	1120	200	480	210	245
FB7-20	20	250	130	878	120	1086	1272	250	520	250	370
FB7-24	24	280	160	996	140	1236	1420	260	590	288	505
FB7-32	32	300	200	1190	180	1410	1678	340	752	366	940
FB7-40	40	320	250	1548	245	1760	2126	450	970	500	1600
FB7-48	48	400	250	1720	300	1920	2400	470	1048	608	3600

Remark: 1.Design:For 2 Ropes. 2.Mounting:Free on deck, welding into bulwark. 3.Bearing:High performance self-lubricating bearing.

4.SWL, Load Position, Safety Factor and Test Load : Please refer to recommended table (page 1).

Warping Roller 滚轮

Warping Roller - DIN 81906-8

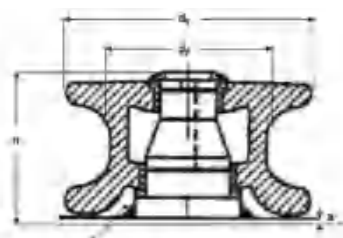


Warping Roller - DIN 81906-8

Nominal Dia. (mm)	Rope Dia. (mm)	Dimensions(mm)								Mass (kgs)	Rated Towing Pull (KN)	Breaking Strength of Wire (KN)
		A	B	C	D	E	F	G	H			
160	12	210	60	195	160	50	5	42	80	10	10	90
200	16	265	70	245	200	50	5	56	102	19	20	150
250	20	330	85	300	250	50	6	71	126	36	30	220
320	24	420	106	390	320	50	4	88	160	76	50	350
400	32	530	125	490	400	60	8	113	208	146	80	500
450	40	610	160	560	450	85	8	139	256	238	120	800
500	48	640	190	620	500	100	8	144	278	328	200	1150
560	52	780	230	740	560	150	8	183	348	551	320	1750

Remark : 1. with Warp Bushing. 2. Lubrication Free. 3. Sealed for bushing as requested. 4. DIN 81907- with Base.

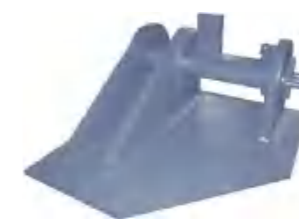
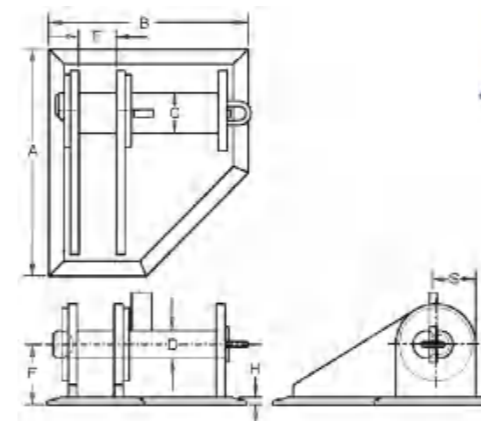
Guide Rollers NS2585



Nominal Dia. (mm)	A	D1	D2	H	S	Weight (kg)	Breaking Load (Mp)
150	5	240	150	154	15	25	15.5
200	5	310	200	186	15	50	19.5
250	6	380	250	230	18	92	28
300	7	440	300	255	18	127	33
350	7	500	350	271	18	169	44
400	7	560	400	307	15	253	57
450	7	360	450	316	15	310	63

Smit Bracket 掣链器托架

Smit Bracket



Type Approval For Emergency Towing System and Single Point Mooring

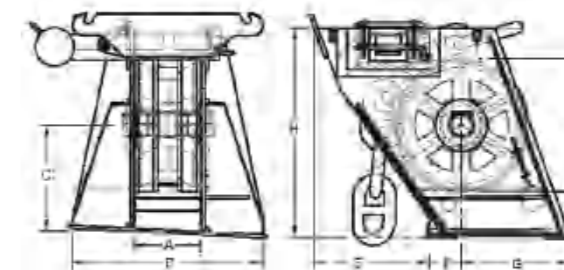
By ABS, BV, DNV, LR's, NKK.

Size : 54mm and 76mm

Nominal Dia. (mm)	Dimensions(mm)								Mass (kgs)	SWL (kN)	MBL (kN)
	A	B	C	D	E	F	H	S			
54	720	650	115	75	100	205	30	118	195	1000	2000
76	900	800	160	110	150	240	30	170	390	2000	4000
84	1018	905	170	120	160	273	35	210	560	2500	5000
95	1120	940	195	135	170	290	40	276	760	3000	6570

Chain Stopper 掣链器

Chain Cable Stopper - Roller Type

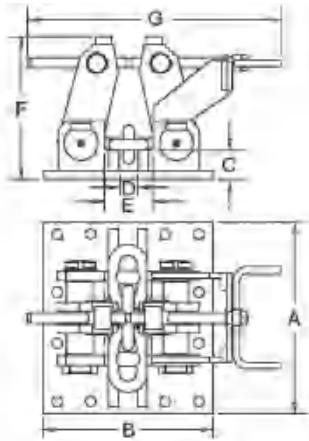


Feature:

1. Bronze Bushing.
2. Bar Stopper (Adjust on board to secure the Ship's Anchor at Anchor House).
3. Turnbuckle and Wire Stopper to secure the Ship's Anchor at Hawse Pipe.
4. Withstand 80% of Chain Cable' breaking load.
5. Incline Angle as request.
6. Port and Starboard Side as request.
7. Save Deck Space.

Rope Dia. (mm)	Dimensions(mm)								Mass (kgs)
	A	B	C	D	E	F	G	H	
20-26	150	350	275	270	125	200	375	475	165
28-34	200	450	350	270	235	240	425	550	200
36-44	250	560	340	444	275	270	520	600	380
46-52	300	640	625	530	235	325	680	750	650
54-58	330	740	515	620	320	380	800	900	1080
60-64	360	780	565	670	385	400	900	1000	1750
66-73	420	900	610	750	390	470	950	1100	2100
76-84	470	1000	680	870	430	520	980	1200	2850
87-95	530	1100	760	1000	520	610	1100	1350	3900
97-104	575	1225	880	1100	525	650	1250	1450	4900
107-114	640	1400	930	1250	620	720	1400	1650	4950
117-124	680	1450	1000	1350	720	780	1500	1750	5100
127-132	700	1500	1100	1450	810	820	1650	1920	5600

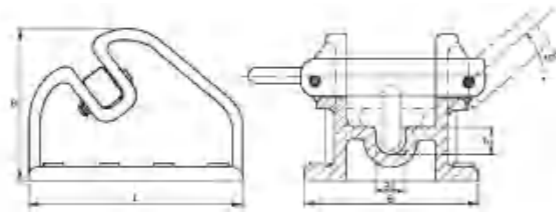
Chain Cable Stopper - Screw Type



Nominal Dia. of Chain (mm)	Dimensions(mm)							Pull Load (KN)	
	A	B	C	D	E	F	G	Grade 2	Grade 3
22 – 26	500	450	78	50	130	400	680	312	445
28 – 32	560	500	85	55	141	420	746	466	666
34 – 36	640	520	90	62	162	504	802	586	840
38 – 40	640	530	95	65	173	508	802	717	1024
42 – 44	700	600	104	72	192	512	900	864	1232
46 – 48	760	680	115	78	210	517	1000	1016	1448
50 – 52	820	760	128	86	230	540	1080	1180	1689
54 – 56	960	820	142	90	242	640	1180	1358	1943
58 – 60	1040	860	162	96	254	668	1220	1546	2213
62 – 64	1100	900	180	102	264	692	1320	1746	2497

Remark : 1. For Grade 2 and Grade 3 Chain. 2. Weld or Bolt Mounted on Deck.
 3. Class A-Withstand 80% of Chain Cable Braking Load. 4. Port and Starboard Side as request.

JIS F-2002 Bar Type (Bolt Mounting)

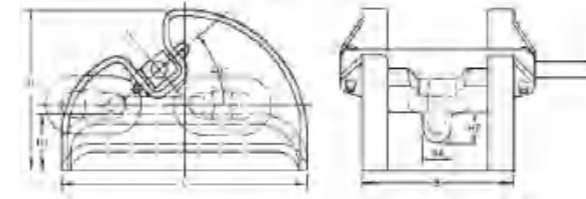


Chain Cable Stopper-JIS F-2002 Bar Type (Bolt Mounting) (JIS F-2002)

Nominal No.	Cable Dia. (mm)	Dimensions(mm)					Mass (kgs)
		B	H	L	H	B2	
19	17-19	195	190	270	32	32	22
22	20-22	215	216	310	37	38	31
25	23-25	240	241	345	43	43	44
28	26-28	265	270	385	48	49	58
32	30-32	305	305	435	54	55	89
36	34-36	340	342	490	61	61	122
40	38-40	370	378	540	68	65	160
44	42-44	405	412	590	75	72	208
48	46-48	440	450	640	82	78	272
52	50-52	470	491	695	88	85	338
56	54-56	495	522	745	95	92	414
60	58-60	530	564	795	102	98	505
64	62-64	565	600	850	109	104	618
68	66-68	590	635	900	116	110	737

Remark : The Bar can be opened in right or left hand side.

JIS F-2015 Cast Steel Bar Type Chain Stopper



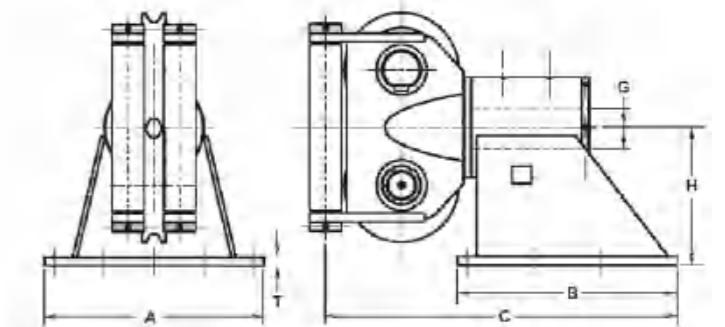
Chain Cable Stopper-JIS F-2015 Cast Steel Bar Type (Weld Mounting) (JIS F-2015)

Nominal Dia. of Chain (mm)	Dimensions(mm)						Mass (kgs)
	B	B2	H	H1	H2	L	
38 – 40	336	65	378	130	68	540	110
42 – 44	366	72	412	142	75	590	138
46 – 48	397	78	450	155	82	640	177
50 – 52	428	85	491	170	88	695	214
54 – 56	457	92	528	182	95	745	261
58 – 60	488	98	465	195	102	795	319
62 – 64	517	104	600	208	109	850	396
66 – 68	547	110	635	220	116	900	482
70 – 73	582	117	675	233	125	960	609
76 – 78	617	123	715	245	133	1020	740

Remark: Size 62mm to 78mm counter-weight shall be equipped.
 The Bar can be opened in right or left hand side.

Fairleader 导览器

Double Sheave Fairleaders



Anchor Fairleader – Model: A-38, Deck Mounted, Double Sheave 2 Rollers

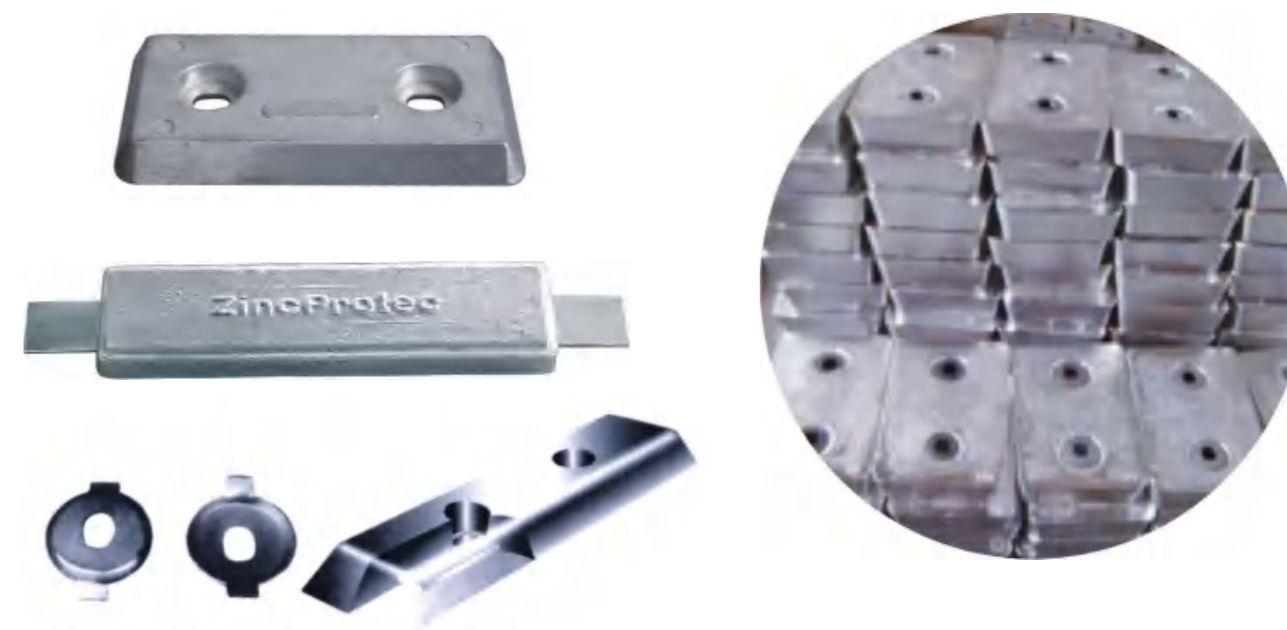
Wire Rope Diameter (mm)		Sheave Dia. (mm)	Dimensions(mm)						Mass (kg)
(mm)	(mm)		A	B	C	T	H	G	
25	1	254	486	420	722	20	277	70	210
32	1-1/4	305	570	492	839	20	342	104	365
38	1-1/2	406	780	782	1266	30	489	143	850
44	1-3/4	508	1064	914	1467	40	546	150	1520
50	2	610	1219	1067	1763	40	648	186	2600
64	2-1/2	762	1372	1219	2045	50	800	230	4000
76	3	938	1800	1500	2634	50	960	300	7200
82	3-1/4	1020	1800	2000	3186	50	1100	320	10800

Remark: Wire Rope at 90° wrap on sheave and 360° rotation of swivel head.
 Optional: 1. Tail Sheave / Tail Roller as requested. 2. Bolt Mounted.

Steel Wire Rope 钢丝绳



Sacrificial Anode 牺牲阳极



Mooring Ropes 缆绳



Air bags 气囊



Fenders 护舷



Marine Hardware 船舶五金

